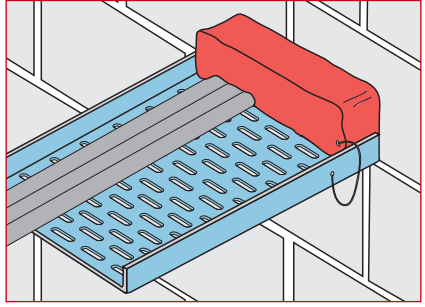


# ENVIROGRAF® PRODUCT 29

## INTUMESCENT CABLE TRAY PILLOW

All Electrical Products to comply with the revised 17th Edition of the IEE Regulations and Document B of UK Building Regulations



### DESCRIPTION

This is a true intumescent compressible pillow, filled with fireproof sponge and intumescent material. The pillow covering is coated glass-cloth which alone gives up to 4 hours of fire protection. In a fire, the pillow's stitching breaks and the intumescent pillow contents expand around and between the cables to fill up the opening.

### USE

For use where cable trays pass through fire-rated ceilings, floors, and walls. Supplied with a fitted cord and retention tag which can be rivetted or screwed onto the cable tray.

### PERFORMANCE

Tested to BS476 Part 22 (1987), achieving an integrity of 181 minutes. Also tested at Cidemco to European Standard EN13501-2 (2004).

### ORDERING REFERENCES:



**TE See price list. Can be made to fit any size trunking and opening.**