

## FIROBLOK® INTUMESCENT SLEEVES FOR SERVICES



### DESCRIPTION

Envirograf® Product 110 Fibroblok® sleeves are designed to protect cables and metal/plastic pipes and ventilation trunking passing through fire-rated ceilings, floors, or walls made from block, brick, or concrete, and hollow plasterboard floors and walls. They are flexible, allowing contraction and expansion of water pipes, and give protection from corrosion caused by close contact with cement, cement blocks, plaster, and other corrosive building materials. A silver-coloured reinforced covering contains the intumescent material so that it expands inwards and crushes into melting PVC pipes, trunking, ducts, etc in the heat of a fire. They also absorb heat from fire and help prevent metal pipes, services, and armoured cables from overheating. The sleeves are supplied in 100mm, 150mm, 200mm, or 500mm lengths. They can be easily cut with a sharp knife and they should be installed level with the surrounding ceiling, floor, or wall. In the case of a fire, the intumescent material will expand, sealing the gap between the cable or pipe and its surrounding ceiling or wall. See also Product 7 (intumescent wraps) and Product 25 (cable protection system for cavity walls).

### USE

For services passing through fire-rated ceilings and walls (especially where contraction and expansion allowance is required, e.g. water/gas pipes). Also for use in brick, block, concrete, and hollow floors or walls.

### PERFORMANCE

This product underwent a fire resistance test employing the general procedures and criteria of BS476 Part 22 (1987), achieving an integrity of 130 minutes in solid walls, 67 minutes in hollow walls, and 4 hours in concrete/ block ceilings/walls. Also tested to EN1366-3 (2005), EN1363-1 (2000), and EN13501-2 (2004).

### ORDERING REFERENCES:

#### FOR CABLES/PIPES/TRUNKING

Reference	Int Diam	Ext Diam
IWS 25	25mm	35mm
IWS 33	33mm	45mm
IWS 40	40mm	55mm
IWS 50	50mm	65mm
IWS 60	60mm	80mm
IWS 90	90mm	115mm
IWS100	100mm	115mm
IWS150	150mm	165mm
IWS215	215mm	265mm

See price list for full range.

Types 110V and 110T listed opposite are available in 100mm, 150mm, 200mm, and 500mm lengths

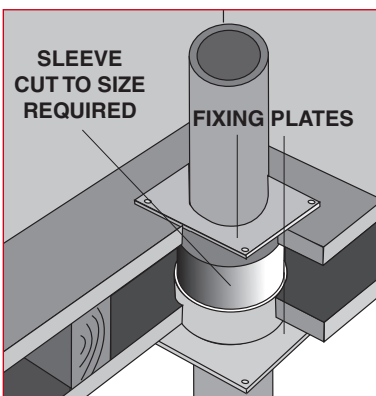
#### FOR VENTILATION DUCTING

Reference	Size
110V/15	110mm x 54mm
110V/26	204mm x 60mm
110V/29	220mm x 90mm
110V/22	234mm x 29mm
110V/32	308mm x 29mm
110V/67	692mm x 70mm

#### FOR PLASTIC TRUNKING

Reference	Size
110T/11	25mm x 25mm
110T/22	33mm x 50mm
110T/33	40mm x 75mm
110T/32	50mm x 50mm
110T/42	100mm x 50mm
110T/43	100mm x 75mm
110T/44	100mm x 115mm

PATENTED

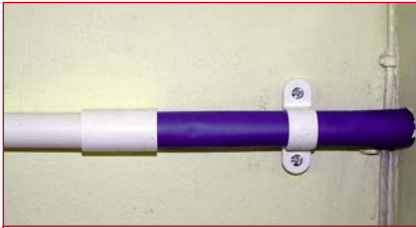


### NEW FIROBLOK SLEEVES FOR DUCTING, TRUNKING, AND CEILING FANS

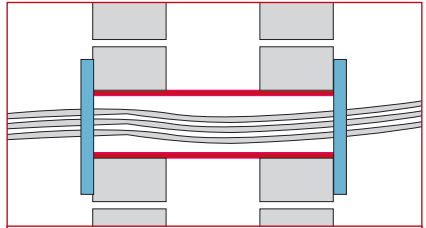


## FIROBLOK® ELECTRICAL INTUMESCENT CONDUIT SLEEVES

All Electrical Products to comply with revised the 17th Edition IEE Regulations, Document B of UK Building Regulations. **Important:** without gaskets, the wall is only rated 5 minutes protection.



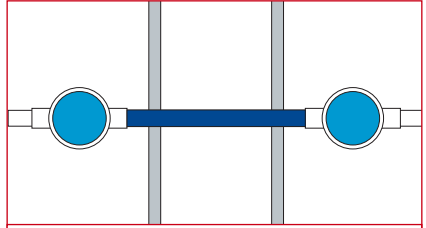
Fireblok® conduit sleeve fitted into a 20mm coupling



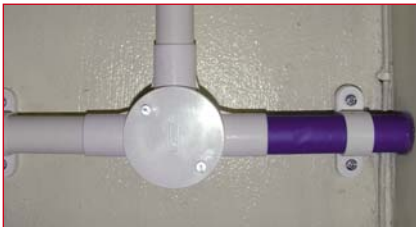
Cable protection in hollow walls including smoke seals.



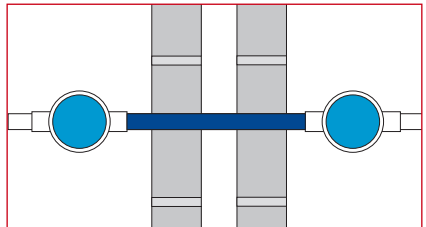
Fireblok® conduit sleeve fitted into a 20mm BESA box



Fireblok® conduit sleeve fitted into a hollow dry wall



Fireblok® conduit sleeve fitted into a 25mm BESA box



Fireblok® conduit sleeve fitted into a block cavity wall

### DESCRIPTION

Wherever electrical services and plumbing pipes (whether they are plastic or steel) pass through fire-rated walls or ceilings, they must be protected by an intumescent sleeve, collar, or wrap.

### USE

Fireblok® electrical conduit sleeves are made in the same sizes as 20mm and 25mm conduit, so they fit into sockets or BESA boxes. Fireblok® sleeves are made to fit around all sizes of plastic trunking and cable trays. In a fire, they will tightly crush/seal around all the cables.

Fireblok® sleeves are used for all sizes of PVC, UPVC, steel, and copper pipes from 15mm to 600mm. In a fire, Fireblok® sleeves completely seal all PVC pipes with a wall thickness up to 25mm and they have been tested for thick UPVC pipes for nuclear power stations. Fireblok® sleeves, when used on steel, cast iron, or copper pipes, cool the pipe down, and they act as an insulator between the sides of a firewall or between floors and ceilings. They are a very important product to prevent fire penetrating into adjacent rooms.

Fireblok® sleeves can be fitted along the length of plastic or steel pipes, and on cables (such as armoured cables feeding hospitals) and pipes (such as chemical pipe) giving fire protection and insulation. The protected cables will not overheat.

### PERFORMANCE

Complies with 17th Edition IEE Wiring Regulations, Document B of UK Building Regulations, and Regulatory Reform Order 2005. Tested to BS476 PART 22 (1987) giving 69 minutes integrity/insulation in hollow plasterboard/lath-and-plaster walls; EN1366-1 (2000) achieving 122 minutes integrity and insulation; and EN1366-3 (2005) achieving 78 minutes integrity.

### ORDERING REFERENCES :

Reference	Description	Length
110C/20	20mm Fireblok® conduit sleeve	300mm
110C/25	25mm Fireblok® conduit sleeve	300mm

Packs of 12 pieces are also available