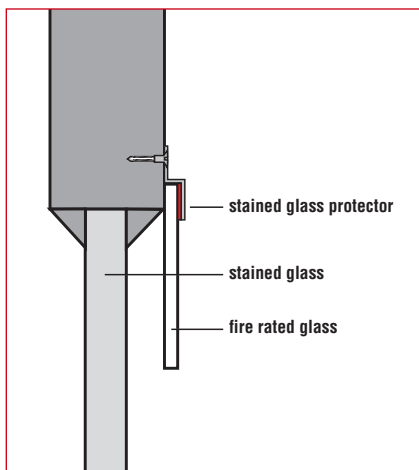


ENVIROGRAF® PRODUCT 116

PROTECTOR FOR ETCHED OR STAINED GLASS



DESCRIPTION

A 2100mm long metal trim in standard finishes of brown or white (other colours available). The protector is complete with pre-fixed intumescent seals and is applied to the framed area on the inside of the room with the matching screws supplied.

USE

The protector holds clear wired glass, laminated glass, or ceramic fire protection glass behind decorative glazing, thereby giving 30 or 60 minutes of fire protection, leaving the decorative glass undisturbed. Supplied in 2100mm lengths. Can also be supplied in curved sections (e.g. arches). When fitted, the protector is unobtrusive and would not normally be noticed.

ORDERING REFERENCES:

GP State the colour finish required

PATENTED