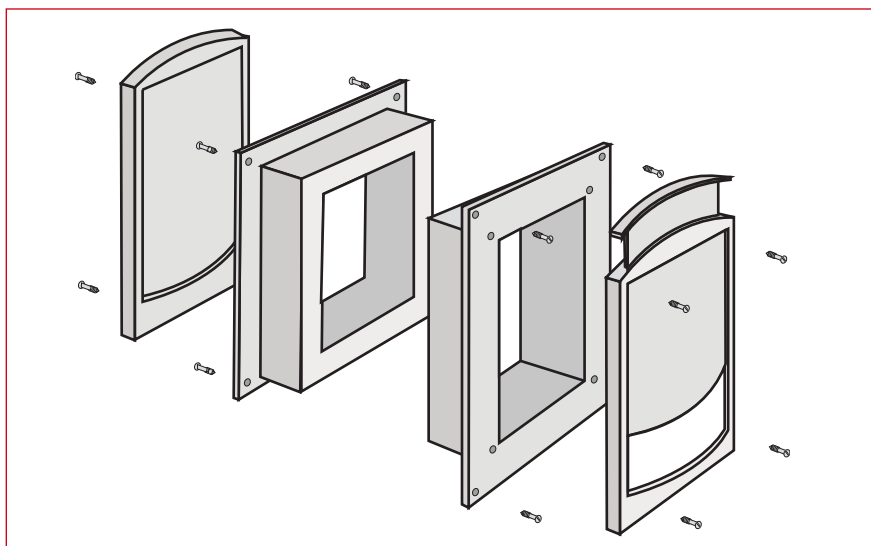


ENVIROGRAF® PRODUCT 118

ANIMAL DOOR FLAP PROTECTOR



DESCRIPTION

A metal frame that houses an Envirograf® Product 16 economy intumescent box, designed for standard cat and dog flaps (these are not supplied). Your standard door flap fits into our unit. Standard finishes are brown, grey, and white. The fitted intumescent and PVC-faced sponge is sufficiently smooth for a cat and dog to pass through. It will not seal or expand until the fire has reached 120°C at the door (approximately 4 minutes into the fire). The product can be made to fit a brick wall of any thickness.

USE

For fire-rated doors in apartments and houses. In a fire, the intumescent material would expand, filling the hole and maintaining the integrity of the fire door. This Envirograf® product is simple to fit.

PERFORMANCE

Tested to BS476 Part 22 (1987) and prEN1366-3, achieving 68 minutes protection.

ORDERING REFERENCES :

PATENTED

Ref	To Suit Staywell Type	Staywell Aperture	FP Aperture
FP01	Series 300 / 400 / 500	168mm x 175 mm	228mm x 235 mm
FP02	Series 600 (Small)	245mm x 150 mm	305mm x 210 mm
FP03	Series 600 (Medium)	348mm x 225 mm	408mm x 285 mm
FP04	Series 600 (Large)	451mm x 277 mm	521mm x 347 mm
FP05	Series 600 (X Large)	642mm x 366 mm	722mm x 446 mm
FP06	Series 700 (Small)	180mm x 155 mm	240mm x 215 mm
FP07	Series 700 (Medium)	265mm x 230 mm	325mm x 290 mm
FP08	Series 700 (Large)	354mm x 306 mm	424mm x 376 mm
FP09	Series 800	429mm x 291 mm	499mm x 361 mm
FP10	Series 900	169mm x 169 mm	229mm x 229 mm

To suit Staywell brand flaps. Others can be made to order.

