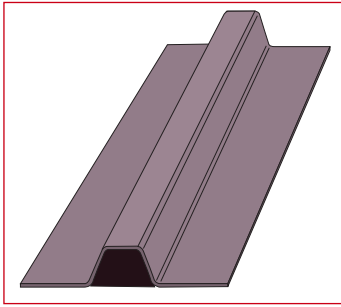


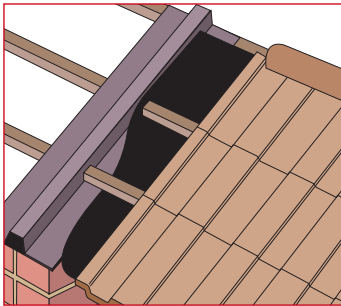
ENVIROGRAF® PRODUCT 128

EXTERNAL ROOF FIRE BREAK MEMBRANE

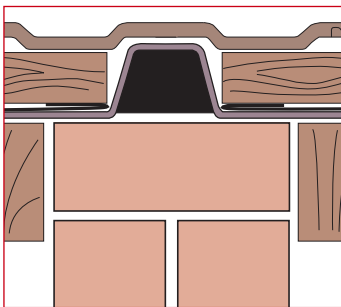
For use under roofing tiles and slates



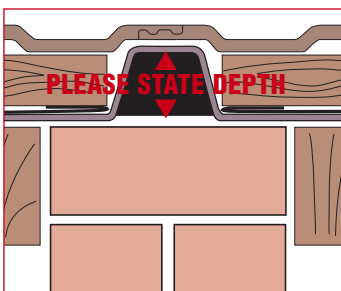
The membrane is supplied as a ready-to-install unit



The membrane fits directly above the firewall structure. Roofing felt is fitted over the blanket section and roofing battens butt to the raised seal section. This system is waterproof and maintains the waterproof integrity of the roof system after installation



The raised seal section of the membrane is designed to fit directly below all types of roofing profiles. Roofing battens are cut to butt to the membrane on each side



Tile joints can be made directly above the raised section of the membrane seal, or away from this area

DESCRIPTION

A foil-clad intumescent membrane section, made from a non-porous material, to form a fire break between two roofs of adjoining properties. Gives full fire protection from one roof to the next. Unaffected by moisture. Easily fitted with clout nails to roof trusses. This product is reinforced with wire mesh in order to support itself when hanging over a wall.

PERFORMANCE

This product has been subjected to a fire test in accordance with BS476 Part 20/22 (1987) achieving an integrity of 72 minutes.

ORDERING REFERENCES :

FBM

State the width required and the height between the top side of the wall and the underside of slates or tiles when ordering

PATENTED