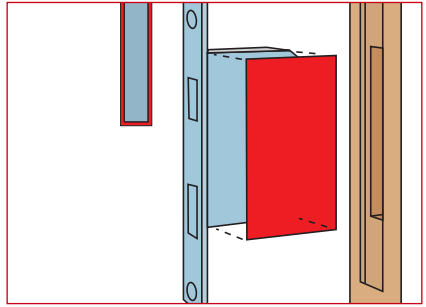
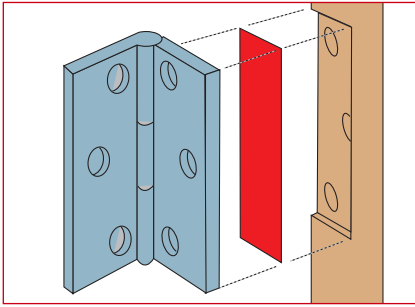


ENVIROGRAF® PRODUCT 71

HINGE, LOCK, AND DOOR CLOSER PROTECTION

Required to comply with BS476 Part 22 (1987) and Document B of UK Building Regulations



DESCRIPTION

A flexible intumescent protection sheet 1mm thick, unaffected by moisture, and supplied in standard sizes for quick and easy fitting (some with self-adhesive backing , some plain).

USE

For use behind hinges and steel door closers and completely wrapped around the hidden parts of lock hardware on a fire-rated door. When installed, the sheet compresses without compromising its protective qualities unlike mastic which is ineffective for hinge, lock and door closure protection. The intumescent paper cools the lock, hinges, and screws and protects them from overheating in the event of a fire. Under UK Building Regulations and BS476 Part 22 (1987), all door furniture must be protected by intumescent material.

PERFORMANCE

This product was used to protect ironmongery in a number of fire resistance tests employing the general procedures and criteria of BS476 Part 22 (1987) without an integrity failure being recorded for up to 91 minutes. Also tested to EN1634-1 (2000) for 68 minutes.

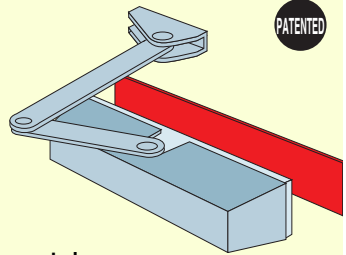
ORDERING REFERENCES :

Ref	Size	Notes
HP 32 <input checked="" type="checkbox"/>	32 x 300mm	
HP 36 <input checked="" type="checkbox"/>	36 x 300mm	
HP 48 <input checked="" type="checkbox"/>	48 x 300mm	Behind hinge areas
HP300 <input type="checkbox"/>	300 x 300mm	Around lock areas
LPH <input type="checkbox"/>	150 x 225mm	Lock areas/closers

= Items supplied with self-adhesive backing as standard.

= Items NOT supplied with self-adhesive backing unless requested.

See also Product 15 (Intuplug® – intumescent plugs for hinge screws).



NEW CE-APPROVED SELF-CLOSING HINGE (SET OF 3)



This self-closing hinge set (Ref **SCH**, available in antique brass, brown, chrome, stainless steel, and white) means there is no longer a need for unsightly surface door closers: ideal for use in conservation areas! This set of 3 hinges acts as a complete door closer. Hinges can be individually adjusted, e.g. to latch, the centre hinge can have more tension, and the top hinge can be tightened to allow for buckled door tops. Hinges tested to BS476 Part 22 (1987) to 30/60 minutes. Also tested to EN1634-1 (2000) for 68 minutes. Tested by FIRA for age, wear, and weight for 80,000 cycles at 90° and 90,000 cycles at 400mm opening and closing.