

D100 & D125

AFFRESCO RANGE – BATHROOM INDUCT FANS WITH LIGHT OPTIONS

FEATURES	CONTROLS	PHYSICAL SPECIFICATION	
----------	----------	------------------------	--

New decorative concept ventilation

Combination ventilation and lighting

Range of contemporary styled internal grilles to match today's bathroom interiors

Bright or brushed chrome effect and frosted glass grille options

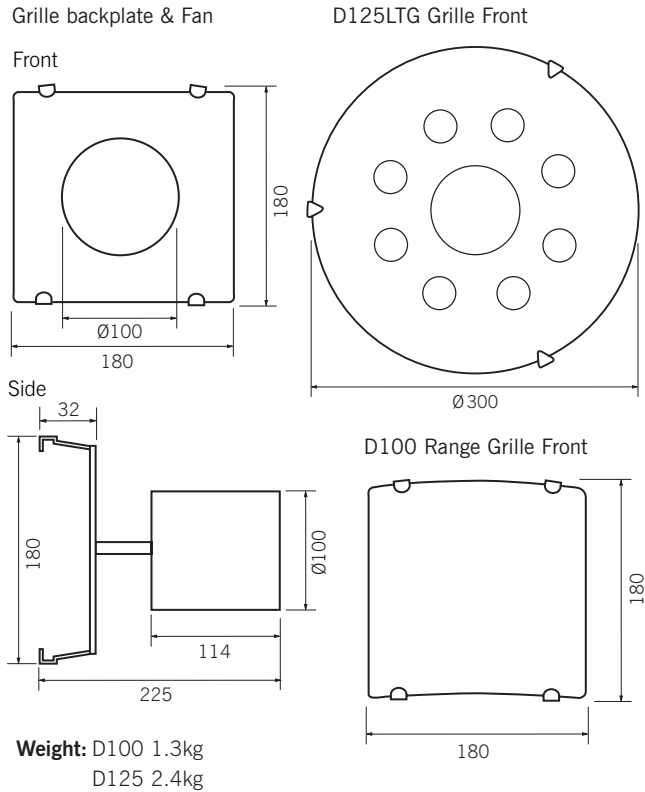
Intermittent 100 and 125mm induct fans suitable for wall and ceiling applications

Timer Control Options

Suitable for new build and refurbishment projects

Easy installation and maintenance

- **D100TC – Wave** (as pictured)
100mm Timer Fan with Bright Chrome Effect Cover
- **D100LTC – Cubic**
100mm Timer Fan & Light with Bright Chrome Effect Cover
- **D100LTG – Quatro** (as pictured)
100mm Timer Fan & Light with Frosted Glass Cover
- **D125LTG – Solar**
125mm Timer Fan & Light with Frosted Glass Cover includes external grille and flexible ducting



Wave

Quatro

BUILDING REGULATIONS

COMPLIES WITH THE REQUIREMENTS OF MECHANICAL EXTRACT VENTILATION FOR BATHROOMS.

ALL PRODUCTS ARE TESTED AND CERTIFIED TO CURRENT BRITISH AND EUROPEAN STANDARDS AND INFORMATION IS AVAILABLE ON REQUEST.

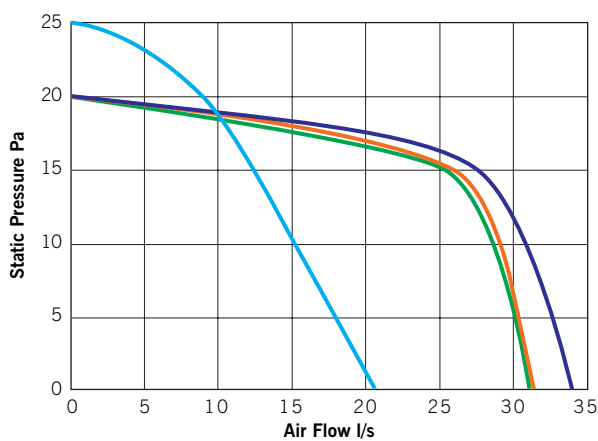
BACKGROUND VENTILATORS FOR REPLACEMENT AIR ARE REQUIRED UNDER **ADF 2006**. DETAILS OF GREENWOOD TRICKLE VENTILATORS ARE AVAILABLE ON PAGES 56–57.

FULL RANGE AVAILABLE ON REQUEST.

- CE marked
- 3 year guarantee
- Complies to:
 - Low Voltage Directive
 - EMC Compatibility Directive

PERFORMANCE

Model	Performance to BS 848 Pt1 in free air (L.s ⁻¹)
D100TC	34
D100LTC	31
D100LTG	31
D125LTG	21



D100LTC — D100LTG — D100TC — D125LTG* —

*installed with 3m ducting

Electrical Specification: Fan 230V~50Hz
Light 12V~50Hz Class II

Consumption: Fan 23W
Light D100 40W
D125 up to 60W

Bathroom Safety Zone: Zone 1 & 2 D100TC
Zone 3 D100LTC, D100LTG, D125LTG

INSTALLATION

Wiring: Must comply with IEE Regulations, see wiring diagrams on pages 136–137.

Installation: Diagrams, see pages 134–135.

Cable: 1mm² max.

Fuse: 3 amp (when fan is supplied from a 5A lighting circuit, no local fuse is required).

Light: D100 – 240V GE bulb Round or Globe type with SES connection 40 watts.

D125 – 240V GE bulb Round or Globe type with SES connection 40, 50 or 60 watts.

ANCILLARIES

ED1
Easyfix 100mm ducting plastic wall liner with integral screw-fixing channels (page 171).



FF100
Fast fix wall duct system. Comprises 100mm PVC duct with external wall duct seal and external grille (page 170).



EG1
Complementary fixed blade louvred grille in semi-matt ABS plastic. White or brown grille (page 176).



GG42
External louvred wall vent available in white or brown (page 166).



GG82
External louvred wall vent available in white or brown (page 166).



Cubic



Solar