

D150

AFFRESCO RANGE – KITCHEN FAN

FEATURES

New decorative concept ventilation

Contemporary styled brushed chrome effect internal grille to match today's kitchens interiors

Intermittent 150mm Induct Fan with pull cord control

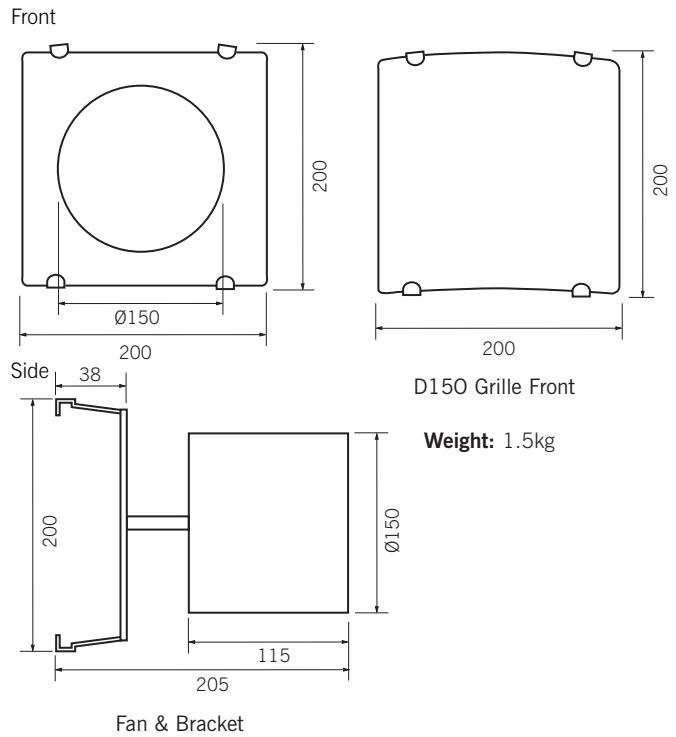
Suitable for new build and refurbishment projects

Easy installation and maintenance

CONTROLS

- **D150BC**
Single speed. Basic pull cord operation.

PHYSICAL SPECIFICATION



AFFRESCO KITCHEN RANGE
– D150

BUILDING REGULATIONS

COMPLIES WITH THE REQUIREMENTS OF MECHANICAL EXTRACT VENTILATION FOR KITCHENS AND UTILITY ROOMS.

ALL PRODUCTS ARE TESTED AND CERTIFIED TO CURRENT BRITISH AND EUROPEAN STANDARDS AND INFORMATION IS AVAILABLE ON REQUEST.

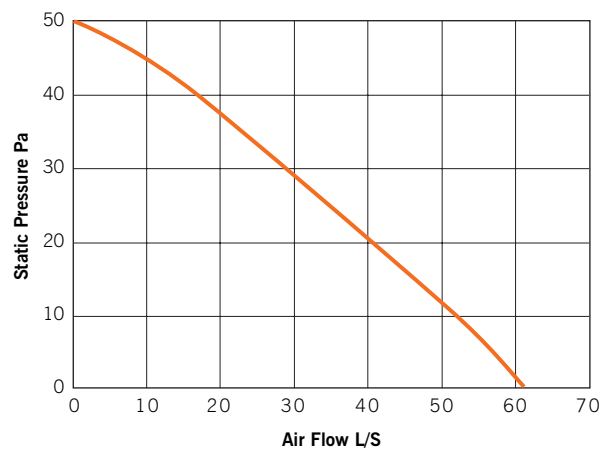
BACKGROUND VENTILATORS FOR REPLACEMENT AIR ARE REQUIRED UNDER **ADF 2006**. DETAILS OF GREENWOOD TRICKLE VENTILATORS ARE AVAILABLE ON PAGES 56–57.

FULL RANGE AVAILABLE ON REQUEST.

- CE marked
- 3 year guarantee
- Complies to:
 - Low Voltage Directive
 - EMC Compatibility Directive

PERFORMANCE

Model	Performance to BS 848 Pt1 in free air	
	m ³ .h ⁻¹	l.s ⁻¹
D150BC	220	61



D150 —

Electrical Specification: 230V~50Hz Class II

Consumption: 25W

ANCILLARIES

ED150

Easyfix 150mm ducting plastic wall liner with integral screw-fixing channels (page 171).

**EG2**

Complementary fixed blade louvred grille in semi-matt ABS plastic. White or brown grille (page 177).



INSTALLATION

Wiring: Must comply with IEE Regulations, see wiring diagrams on pages 157.

Installation: Diagrams, see pages 156.

Cable: 1mm² max.

Fuse: 3 amp normally required (when fan is supplied from a 5A lighting circuit no local fuse is required).

Exhaust: Ø 150mm.

