

# CMEV.5

## ENVIRONMENTAL RANGE – CONTINUOUS MECHANICAL EXTRACT

FEATURES	CONTROLS	PHYSICAL SPECIFICATION
----------	----------	------------------------

Continuously running whole house extract ventilation system designed to contribute to good indoor air quality

Self Balancing extraction points to regulate airflow automatically in respect of dwelling size (1 x 125mm, 2 x 80mm)

Low running noise levels

Suitable for new build houses and larger properties with additional WC and en-suite bathrooms

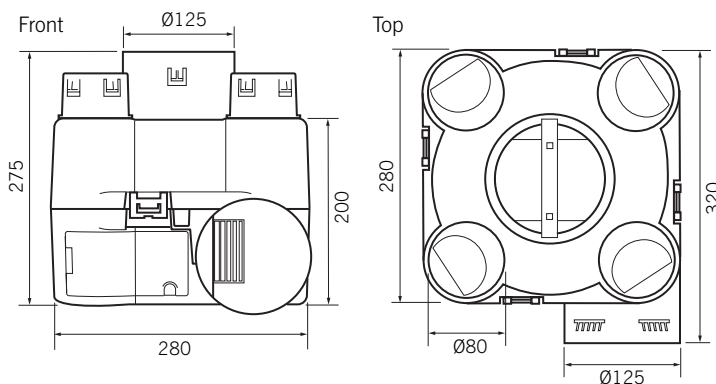
Specified for noisy sites with acoustic requirements

Replacement air provided by background ventilators located in habitable room – 2500mm<sup>2</sup> equivalent area

Designed to be used with long duct runs (6m on each inlet)

Annual maintenance and cleaning recommended

Wired in remote switch, for switching between trickle and boost speeds.  
Boost available for 125mm kitchen port only.



**Weight:** 5 kg

**Material:** ABS construction.



## BUILDING REGULATIONS

COMPLIES WITH THE REQUIREMENTS OF CONTINUOUS MECHANICAL EXTRACT VENTILATION UNDER **SYSTEM 3 ADF 2006**.

PRODUCTS SHOULD BE INSTALLED AS PART OF AN INTEGRATED VENTILATION SYSTEM COMPRISING MECHANICAL EXTRACT AND BACKGROUND VENTILATORS.

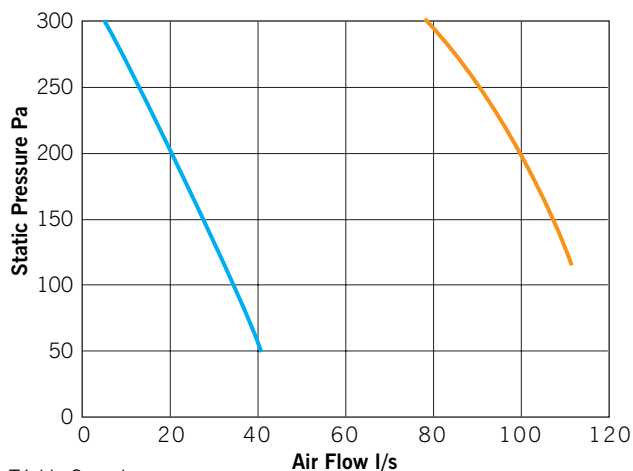
GREENWOOD BACKGROUND VENTILATORS, DETAILED ON PAGES 82 – 83.

- CE marked
- 2 year guarantee
- Complies to:
  - Low Voltage Directive
  - EMC Compatibility Directive

## PERFORMANCE

Model	Performance to BS 848 Pt1 in free air (l/s)				Consumption (W)		Sound Pressure level @ 3m dB(A)	
	High		Trickle		High	Trickle	High	Trickle
	Kitchen (125mm)	Bathroom (80mm)	Kitchen (125mm)	Bathroom (80mm)				
CMEV.5	37.5*	8.3*	12.5*	8.3*	70	20	52	38

\*Installed performance up to 6m of ducting.



Trickle Speed —  
High Speed —

**Electrical Specification:** 230V~50Hz Class II

**Consumption:** High Speed 70W  
Low Speed 20W

## INSTALLATION

- Wiring:** Must comply with IEE Regulations, see wiring diagrams on pages 84 – 85.
- Cable:** 5 core 0.75mm<sup>2</sup>.
- Fuse:** 3 amp (when fan is supplied from a 5A lighting circuit, no local fuse is required).
- Ducting:** Connect to 125mm ducting for kitchen and 80mm for bathrooms and WC.
- Application:** Hanging cords supplied to minimise risk of vibration. Minimum height for installation 1 metre.

## ANCILLARIES

**GD8**  
Modular light weight PVC ducting system (page 167).



**NA80 Attenuator**  
For 80mm connection (page 169).



**GFA5.3, GFA5.10, GFA80.3 & GFA80.10**  
Flexible 80mm and 125mm PVC & aluminium ducting (page 173).



**GG80W**  
Bathroom ceiling grille (page 169).



**GG125W**  
Kitchen ceiling Grille (page 167).



**GG82**  
External louvred wall vent with flyscreen, round exhaust, available in white or brown (page 167).



**GS2**  
2 position switch available for controlling unit between trickle and boost speeds.

