

CMEV.5MF

ENVIRONMENTAL RANGE – MAINTENANCE FREE CONTINUOUS MECHANICAL

FEATURES	CONTROLS	PHYSICAL SPECIFICATION
----------	----------	------------------------

Continuously running whole house extract ventilation system designed to contribute to good indoor air quality

Centrifugal impeller negates the need for maintenance for 5 years as dust is simply removed when fan changes direction with change of speed ensuring optimal performance of unit

Self Balancing extraction points regulates airflow to dwelling size automatically on site

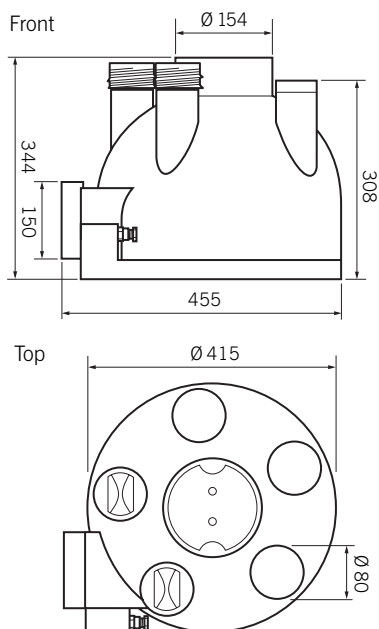
3 standard inlets (2 x 80mm, 1 x 150mm) supplied with option to include additional 3 x 80mm auto balancing inlets for larger properties

Low running noise levels

Suitable for new build houses and larger properties with additional WC, en-suite bathrooms up to 6 rooms

Replacement air provided by background ventilators located in habitable room – 2500mm² equivalent area

Wired in remote switch, for switching between trickle and boost speeds.
Boost available for 125mm kitchen port only.



Weight: 5.5 kg
Material: ABS construction.

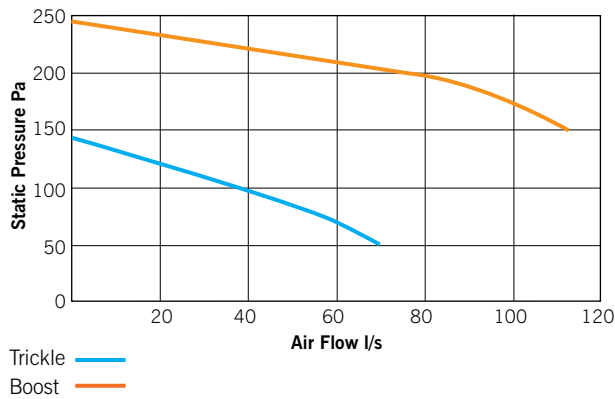


EXTRACT

PERFORMANCE

Model	Performance to BS 848 Pt1 in free air (l/s)				Consumption (W)		Sound Pressure level @ 3m (dB(A))	
	High		Trickle		High	Trickle	High	Trickle
	Kitchen (125mm)	Bathroom (80mm)	Kitchen (125mm)	Bathroom (80mm)				
CMEV.5MF	47.2*	8.3*	12.5*	8.3*	100	30	58	40

*Installed performance up to 6m of ducting.



Electrical Specification: 230V~50Hz Class II
Consumption: High Speed 100W
 Low Speed 30W

INSTALLATION

- Wiring:** Must comply with IEE Regulations, see wiring diagrams on pages 84–85.
- Fuse:** 3 amp (when fan is supplied from 5A lighting circuit no local fuse is required).
- Ducting:** Connect to 125mm ducting for kitchen and 80mm for bathroom and WC – suitable for flexible ducting
- Application:** Hanging rods supplied and unit mounted on wired bracket to minimise risk of vibration



ANCILLARIES

- GD8**
Modular light weight PVC ducting system (page 167). 
- NA80 Attenuator**
For 80mm connection (page 169). 
- NA150 Attenuator**
For 150mm connection (page 169). 
- GFA5.3 or GFA5.10**
Flexible 125mm PVC & aluminium ducting (page 173). 
- GFA80.3 or GFA80.10**
Flexible 80mm PVC & aluminium ducting (page 173). 
- GG80W**
Bathroom ceiling grille (page 169). 
- GG125W**
Kitchen ceiling grille (page 169). 
- GF150W**
Kitchen grille & filter (page 169). 
- MS150FR**
Fire Damper & Connector (page 169). 
- GG82 & GG84**
External louvred wall vent with flyscreen, round exhaust, available in white or brown (page 167). 
- GS2**
2 position switch available for controlling unit between trickle and boost speeds. 
- RV80**
Autobalancing inlet (page 169). 

BUILDING REGULATIONS

COMPLIES WITH THE REQUIREMENTS OF CONTINUOUS MECHANICAL EXTRACT VENTILATION UNDER **SYSTEM 3 ADF 2006**.

PRODUCTS SHOULD BE INSTALLED AS PART OF AN INTEGRATED VENTILATION SYSTEM COMPRISING MECHANICAL EXTRACT AND BACKGROUND VENTILATORS.

GREENWOOD BACKGROUND VENTILATORS, DETAILED ON PAGES 82–83.

- CE marked
- 2 year guarantee
- Complies to:
Low Voltage Directive
EMC Compatibility Directive