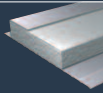


D2000

A RANGE OF PERFORMANCE  
YOU CAN TRUST

### Supafix

INSULATED CAVITY CLOSER



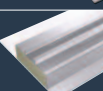
### Supafix Multicloser

MULTI WIDTH INSULATED CAVITY CLOSER



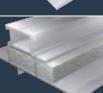
### TF1000/2000

INSULATED CAVITY CLOSER



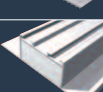
### D2000

INSULATED CAVITY CLOSER



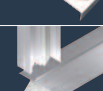
### D3000

INSULATED CAVITY CLOSER



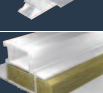
### Frame Formers

INSULATED CAVITY CLOSER



### D2000 FIRE RATED

INSULATED CAVITY CLOSER



### Supafix FIRE RATED

INSULATED CAVITY CLOSER



### DPC

INSULATED DPC



### Accessories

WEEPHOLES & FIXING TIES



Dacatie D2000, D3000, TF1000/TF2000  
and Supafix are BBA Approved.



Dacatie Cavity Closers are designed with  
the recommendations of the NHBC in  
mind, notably their Good Practice Guide on  
Energy in New-build and Refurbishment.

[www.dacatie.co.uk](http://www.dacatie.co.uk)

**DACATIE**<sup>TM</sup>  
BUILDINGSOLUTIONS

SALES & TECHNICAL SUPPORT

**0161 622 2020**

f: 0161 622 2022 e: [sales@dacatie.co.uk](mailto:sales@dacatie.co.uk)

QUANTUM PROFILE SYSTEMS LTD.

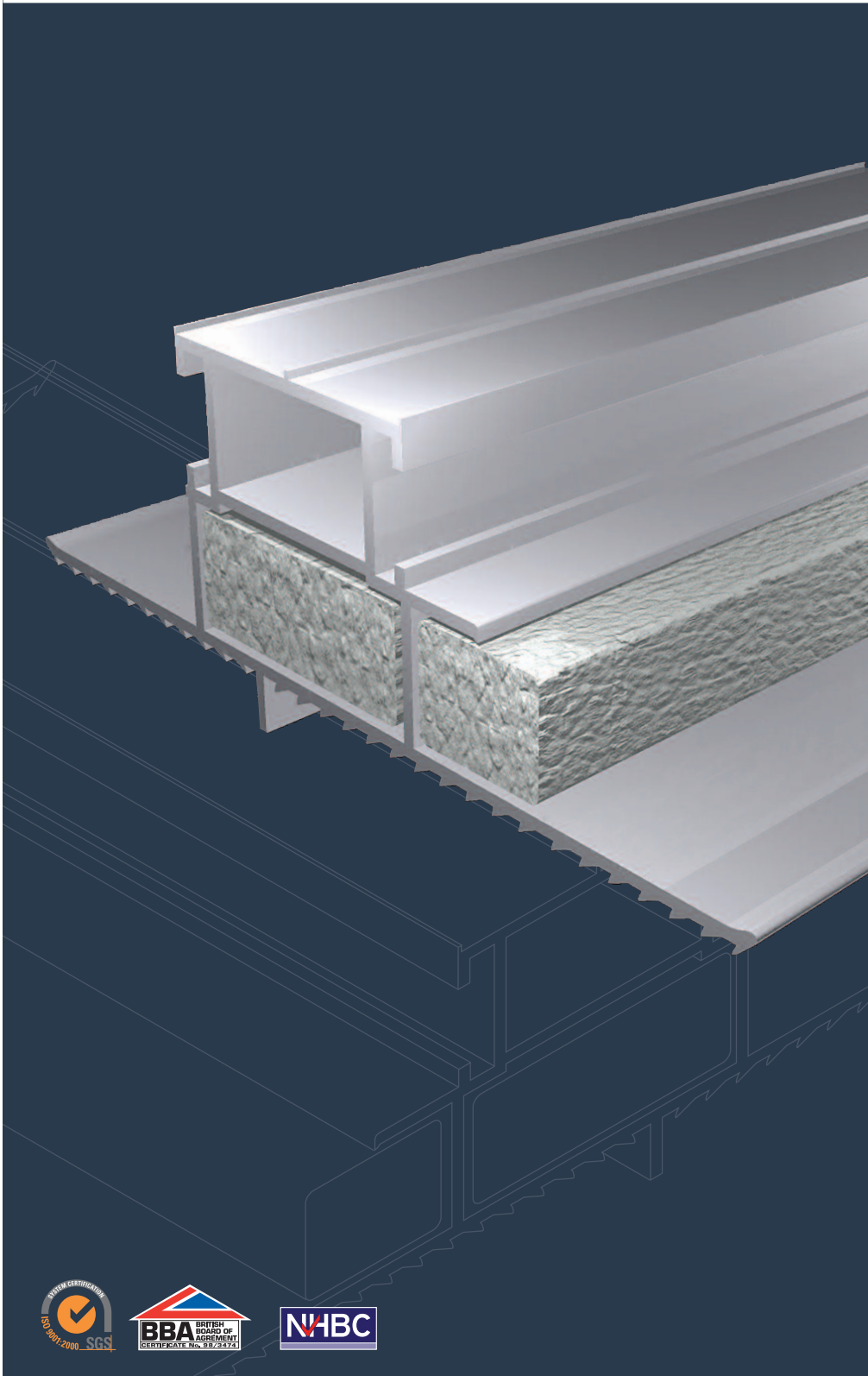
SALMON FIELDS ROYTON OLDHAM LANCASHIRE OL2 6JG  
t: 0161 622 2020 f: 0161 622 2022 e: [info@dacatie.co.uk](mailto:info@dacatie.co.uk)

DACATIE is a registered trade mark of Quantum Profile Systems Limited.

Uniclass L3272:P7114	EPIC F642:X725
CI/SfB (31.9)	Hn6

**DACATIE**  
BUILDINGSOLUTIONS

## D2000 INSULATED CAVITY CLOSER

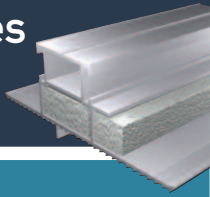


D2000 IS A FULLY INSULATED CAVITY CLOSER OFFERING A HIGHLY FLEXIBLE, SINGLE SOLUTION FOR THE CLOSING OF CAVITIES AROUND WINDOW AND DOOR OPENINGS.

THE SPECIFIERS CHOICE TO ACHIEVE BUILDING REGULATIONS COMPLIANCE

# D2000

## Features



One profile fits cavity widths from 50mm - 130mm

Complies with new Part L Building Regulations

Reduces risk of condensation, mould and moisture migration across the cavity

BBA Certified to all weather ratings including severe and very severe categories (BS 5628)

Ideal for first or second fix

Built-in plaster stop

## Specifications

### Profile

White non water-absorbing PVCu

### Insulation

EPS insulation, HCFC & CFC-free

### Lengths

2.1 and 3.0 metres

### Cavity widths

50mm - 130mm

Standard widths: 50, 65, 75, 85, 90 and 100mm

Other cavity widths available on request

### Minimal thermal resistance path

0.45m<sup>2</sup>/KW

### Specification Statement

Close cavity openings at window jambs/sills and external doors utilising D2000.

Installation should be completed in accordance with the manufacturers instructions

## Regulations

Approved Document Part L revised 2002 & 2006

Complies with Robust Detail and BR262 providing severe weather rating

Manufactured to ISO9001

## Order codes

**Standard:** D20 / cavity width / frame offset

Available with or without plaster stop.

**Check reveal:** CD20 / cavity width

**Fixing Ties:** DT4

# D2000

## INSULATED CAVITY CLOSER

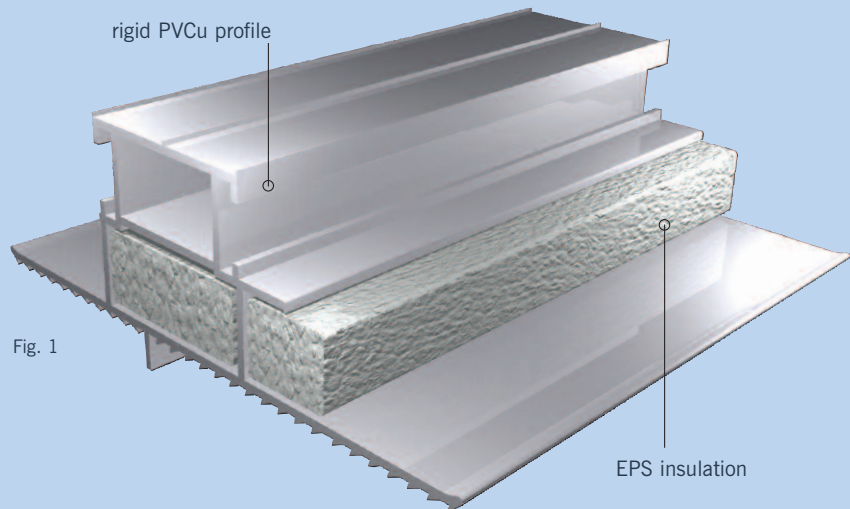


Fig. 1

D2000 is a fully insulated cavity closer, offering a highly flexible, single solution for the closing of cavities around window and door openings. D2000 fully complies with the new Part L Building Regulations and can be used for first or second fix installation of doors and windows.

D2000 has a rigid PVCu Profile enclosing a core of CFC free insulation that forms a continuous insulated cavity closer around door and window openings. This prevents cold bridging, damp penetration, air infiltration and condensation. Can be used on all reveals or cavities and is suited to all types of doors and windows providing a single solution suitable to all possible applications. D2000 is NHBC approved and BBA agreement certified. D2000 is also available as a 3 or 4 sided frame format. Please contact the Dacatie Sales Office for further information.

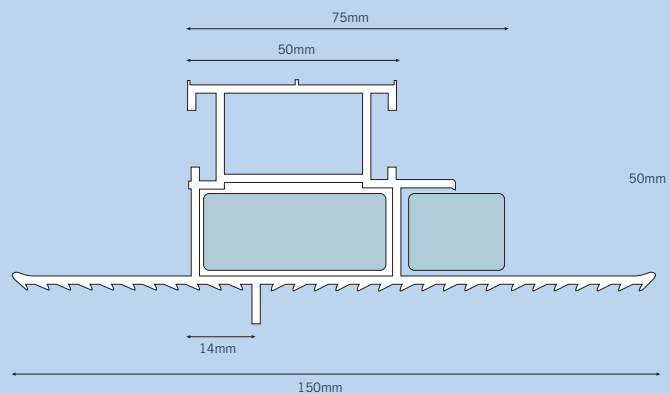


Fig. 2

RECOMMENDED AS A SINGLE SOLUTION FOR THE CLOSING OF CAVITIES AROUND WINDOW AND DOOR OPENINGS.

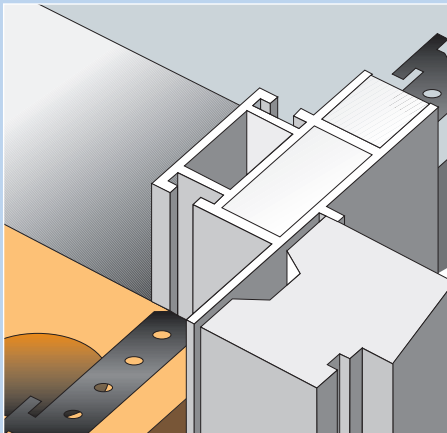


Fig. 3

**APPLICATION**

D2000 is ideally suited to all applications, with a single profile for all standard or rebated cavities from 50 - 130mm, including full or partial fill. D2000 is also available with offsets from 14mm - 49mm on request. See below for examples. Also available in check reveal situations (see CD2000 detail below).

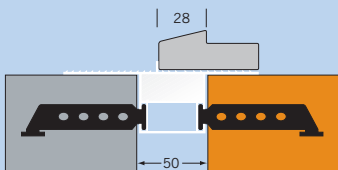
**First Fix**

First fix applications may be achieved by fixing the closer to a timber former or window and incorporating into the brickwork as it is constructed.

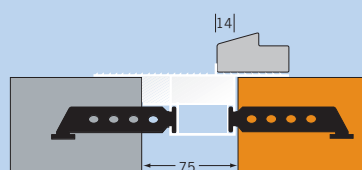
First fix cavity closer application requires DT4 fixing ties every 225mm.

**Second Fix and Retro Fix**

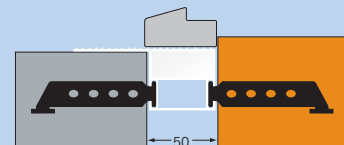
Second fix applications are possible by cutting the closer to length, push fitting into the cavity and nailing to the brick or block work.



Standard  
D2050 / 28mm offset



Standard  
D2075 / 14mm offset



Check Reveal  
CD2050

**THE PROBLEM OF COLD BRIDGING (Fig. 4)**

The problems of cold bridging are recognised in the new Part L Building Regulation revised 2002 & 2006. Part L recommends that an insulated cavity closer be used to overcome thermal loss that occurs in unprotected cavities and reveals. Thermal loss can result in problems of condensation, staining and mould growth at the reveals of these openings. Prolonged exposure to such factors will lead to a deterioration of the internal plaster and paint work. The use of D2000 will help to prevent the occurrence of such factors.

**PART L REVISED 2002 & 2006**

D2000 will exceed the minimum requirement of 0.45 m<sup>2</sup> K/W for thermal resistance. When for example the window is set back at 30mm, the thermal resistance will in fact exceed 0.75m<sup>2</sup> K/W (as indicated in the Robust Detail for walls). The minimum u value requirement of 0.35W/m<sup>2</sup> will be achieved if all products are fitted to manufacturers recommendations and thermally efficient products are used within the construction.

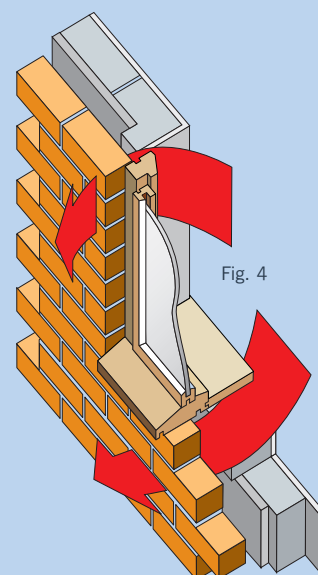


Fig. 4 Identifies the heat loss from a building which is the cause of cold bridging.