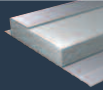


D3000

A RANGE OF PERFORMANCE
YOU CAN TRUST

Supafix

INSULATED CAVITY CLOSER



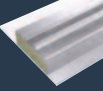
Supafix Multicloser

MULTI WIDTH INSULATED CAVITY CLOSER



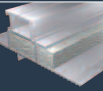
TF1000/2000

INSULATED CAVITY CLOSER



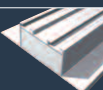
D2000

INSULATED CAVITY CLOSER



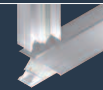
D3000

INSULATED CAVITY CLOSER



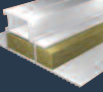
Frame Formers

INSULATED CAVITY CLOSER



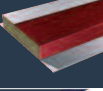
D2000 FIRE RATED

INSULATED CAVITY CLOSER



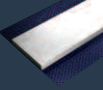
Supafix FIRE RATED

INSULATED CAVITY CLOSER



DPC

INSULATED DPC



Accessories

WEEPHOLES & FIXING TIES



Dacatie D2000, D3000, TF1000/TF2000
and Supafix are BBA Approved.



Dacatie Cavity Closers are designed with
the recommendations of the NHBC in
mind, notably their Good Practice Guide on
Energy in New-build and Refurbishment.

www.dacatie.co.uk

DACATIETM
BUILDINGSOLUTIONS

SALES & TECHNICAL SUPPORT

0161 622 2020

f: 0161 622 2022 e: sales@dacatie.co.uk

QUANTUM PROFILE SYSTEMS LTD.

SALMON FIELDS ROYTON OLDHAM LANCASHIRE OL2 6JG

t: 0161 622 2020 f: 0161 622 2022 e: info@dacatie.co.uk

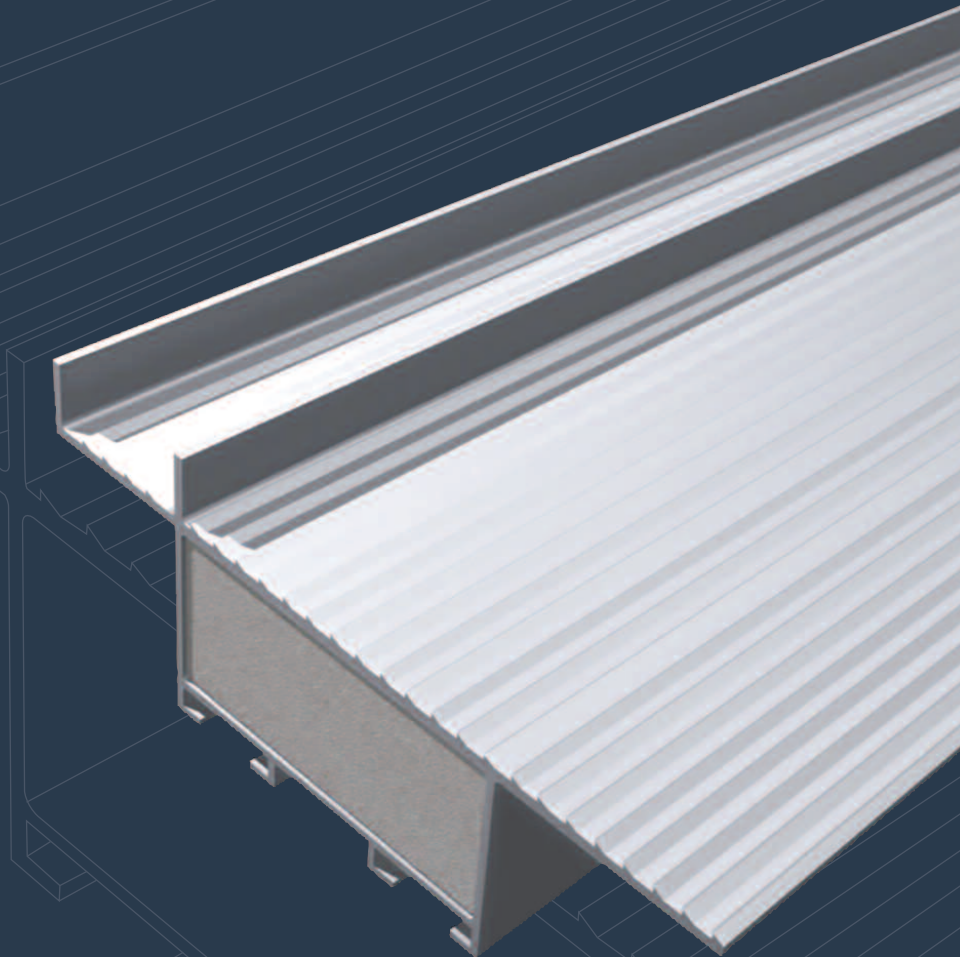
DACATIE is a registered trade name of Quantum Profile Systems Limited.

Uniclass L3272:P7114	EPIC F642:X725
CI/SfB (31.9)	Hn6

D3000 INSULATED CAVITY CLOSER

FOR USE WHEN FRAMES ARE FITTED INTERNALLY

DACATIE
BUILDINGSOLUTIONS

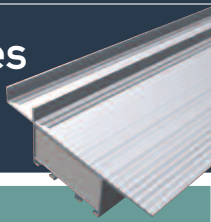


RECOMMENDED FOR CLOSING THE CAVITY AROUND WINDOW AND DOOR OPENINGS WHEN FRAMES ARE TO BE FITTED FROM THE INSIDE OF THE BUILDING.

THE SPECIFIERS CHOICE TO ACHIEVE BUILDING REGULATIONS COMPLIANCE

D3000

Features



Allows window to be fitted from the inside

Complies with new Part L Building Regulations

Reduces risk of condensation, mould and moisture migration across the cavity

BBA Certified to all weather ratings including severe and very severe categories (BS 5628)

Suitable for check reveal situations

Allows use of snap-in system

Specifications

Profile

White non water-absorbing PVCu

Insulation

EPS insulation, HCFC & CFC-free

Lengths

2.1 and 3.0 metres

Cavity widths

75mm - 100mm

Standard widths: 75, 85, 90 and 100mm

Minimal thermal resistance path

0.45m²/KW

Specification Statement

Close cavity openings at window jambs/sills and external doors utilising D3000.

Installation should be completed in accordance with the manufacturers instructions

Regulations

Approved Document Part L revised 2002 & 2006

Complies with Robust Detail and BR262 providing severe weather rating

Manufactured to ISO9001

Order codes

Standard: D30 / cavity width
Available with or without stop.

Check reveal: CD30 / cavity width

Fixing Ties: DT4

D3000

INSULATED CAVITY CLOSER

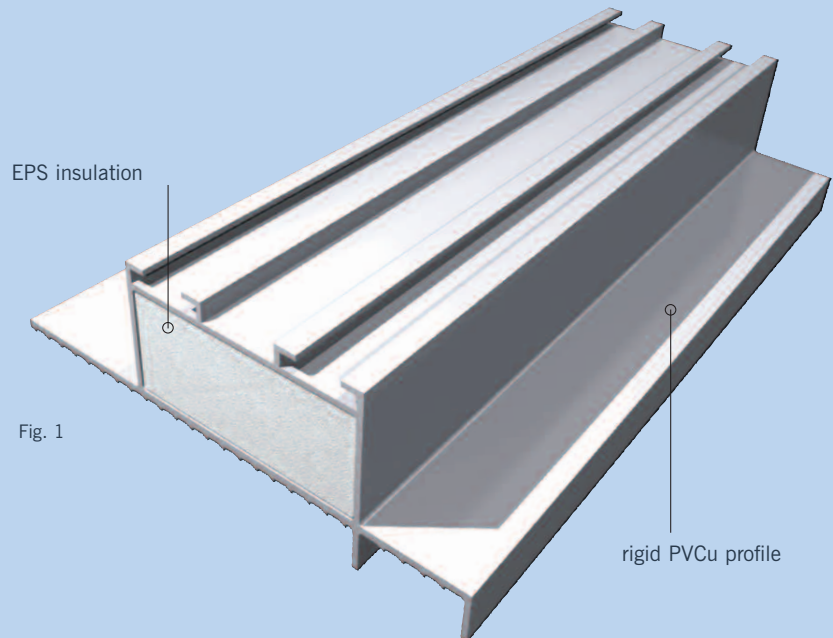


Fig. 1

D3000 is a fully insulated cavity closer, offering a versatile, single solution for the closing of cavities around window and door openings. D3000 fully complies with the new Part L Building Regulations and is generally used for fitting the window from the inside of the building. It is an ideal product for use on multiple storey buildings as fitting frames from the inside is a necessary safety requirement on many building sites.

D3000 has a rigid PVCu Profile enclosing a core of CFC free insulation that forms a continuous insulated cavity closer around door and window openings. This prevents cold bridging, damp penetration, air infiltration and condensation. Can be used on cavity widths 75 - 100mm and is suited to all types of doors and windows. D3000 is available as a 3 or 4 sided frame former. Please contact the Dacatie Sales Office for further information.

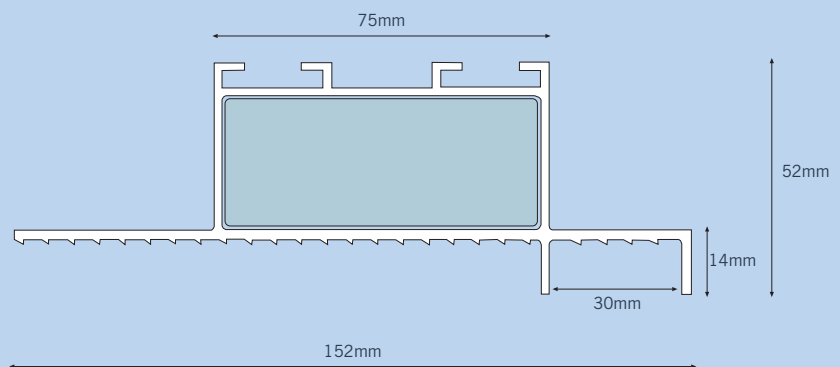


Fig. 2

RECOMMENDED AS A SOLUTION FOR THE CLOSING OF CAVITIES AROUND WINDOW AND DOOR REVEALS, WHEN FRAMES ARE TO BE FITTED INTERNALLY.

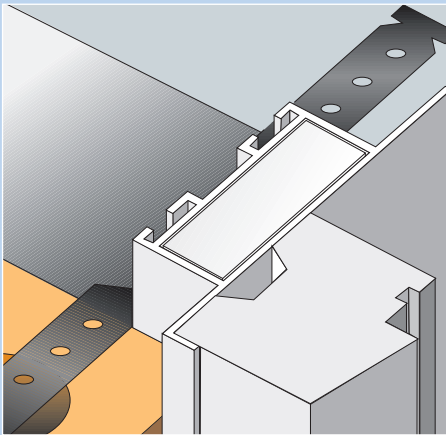


Fig. 3

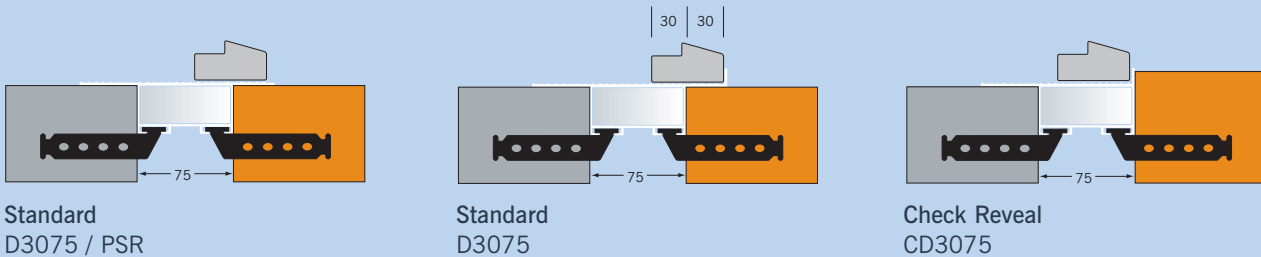
APPLICATION

D3000 is ideally suited for applications requiring window fixing from the inside, with a single profile for standard or rebated cavities from 75 - 100mm. D3000 is also available with all stops removed. See below for examples. Also available for check reveal situations (see CD3000 detail below).

First Fix

First fix applications may be achieved by fixing the closer to a timber former or window and incorporating into the brickwork as it is constructed.

First fix cavity closer application requires DT4 fixing ties every 225mm.



Note: When fitting the window from the inside, the end stop will position the front of the window frame 30mm over the inside edge of the outer brick, and for a standard 60mm window section, the back edge of the window will overlap the cavity by 30mm as recommended in the Building Regulations (see D3075 section above).

THE PROBLEM OF COLD BRIDGING (Fig. 4)

The problems of cold bridging are recognised in the new Part L Building Regulation revised 2002 & 2006. Part L recommends that an insulated cavity closer be used to overcome thermal loss that occurs in unprotected cavities and reveals. Thermal loss can result in problems of condensation, staining and mould growth at the reveals of these openings. Prolonged exposure to such factors can lead to a deterioration of the internal plaster and paint work. The use of D3000 will help to prevent the occurrence of such factors.

PART L REVISED 2002 & 2006

D3000 will exceed the minimum requirement of 0.45 m² K/W for thermal resistance. When for example the window is set back over the cavity by 30mm, the thermal resistance will in fact exceed 0.75m² K/W (as indicated in the Robust Detail for walls). The minimum u value requirement of 0.35W/m² will be achieved if all products are fitted to manufacturers recommendations and thermally efficient products are used within the construction.

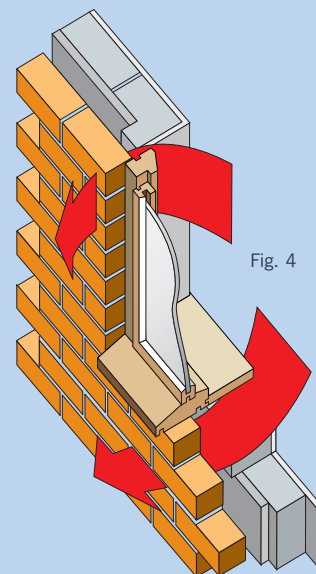


Fig. 4

Fig. 4 Identifies the heat loss from a building which is the cause of cold bridging.