

MVHR.90

LOW ENERGY MECHANICAL SUPPLY & EXTRACT VENTILATION WITH HEAT RECOVERY

FEATURES	CONTROLS	PHYSICAL SPECIFICATION
----------	----------	------------------------

Continuously running supply and extract ventilation system designed to contribute to indoor air quality

Low energy DC motor

Up to 96% Nominal Heat recovery

Integral filter removes dust and pollen particles from replacement air which is distributed to habitable rooms

Unique summer bypass provides comfort cooling through summer months (16–28°C)

Multiple extract rate settings according to dwelling size

On board frost protection

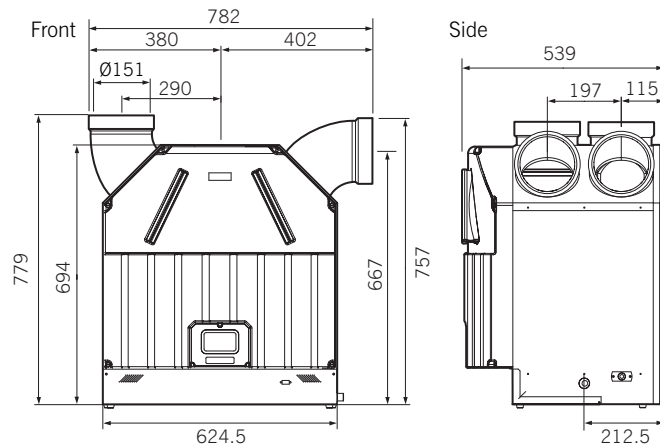
Integral self diagnostics and fault finding with PC programme available for commissioning, monitoring and analysis

Flexible installation for varying dwelling layouts including right and left hand options

Suitable for houses

Wired in **remote switch** to control trickle, medium & boost speeds.

Commissioning on site to requirements of dwelling designed prior to installation.



Weight: 35kg.

Material: Powder coated aluminium construction, ABS components.



BUILDING REGULATIONS

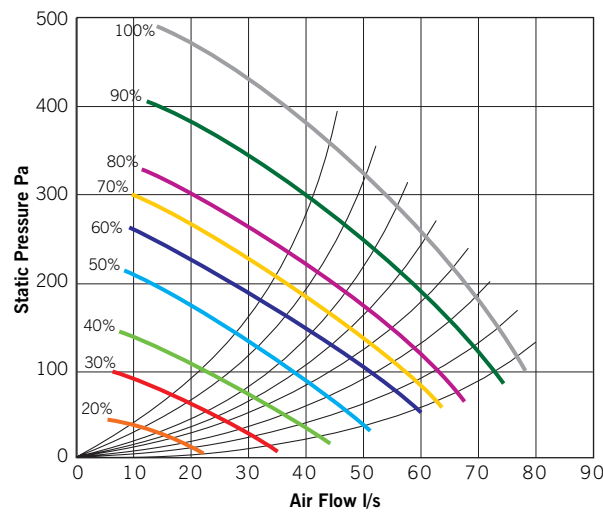
COMPLIES WITH THE REQUIREMENTS OF CONTINUOUS SUPPLY AND MECHANICAL EXTRACT VENTILATION WITH HEAT RECOVERY UNDER **SYSTEM 4 ADF 2006.**

NO BACKGROUND VENTILATORS ARE REQUIRED.

- CE marked
- 2 year guarantee

PERFORMANCE

Model	Performance to BS 848 Pt1 in free air (l/s)			Consumption (W)			Sound Pressure level @ 3m (dB(A))		
	High	Medium	Low	High	Medium	Low	High	Medium	Low
MVHR.90	78	50	35	110	50	25	58	50	43



Electrical Specification: 230V~50Hz Class I

Consumption:	High	110W
	Medium	50W
	Low	25W

INSTALLATION

Wiring: Must comply with IEE Regulations, see wiring diagrams on pages 102–103.

Fuse: 3 amp (when fan is supplied from a 5A lighting circuit, no local fuse is required).

Installation: Unit can be installed in left or right hand position by adjusting backing plate and condensation drain.

Suitable for loft or cupboard.

Supplied with a fixing bracket which can be installed prior to product fixing.

Install with rigid aluminium, PVC or galvanised ducting.

ANCILLARIES

GD8
Modular light weight PVC ducting system (page 167).



Galvanised Ducting
A range of galvanised ducting (page 168).



GFA6.3 or GFA6.10
Flexible 125mm PVC & aluminium ducting (page 173).



GS1
3 position switch available for controlling unit between trickle, medium & boost speeds.



KI150 & KI125
150mm & 125mm ceiling mounted supply valve (page 168).



KSOP150
150mm fire rated kitchen extract valve (page 168).



KU150 & KU125
150mm ceiling mounted extract valve (page 168).



KM150 & KM125
150mm & 125mm valve fixing collar (page 168).

