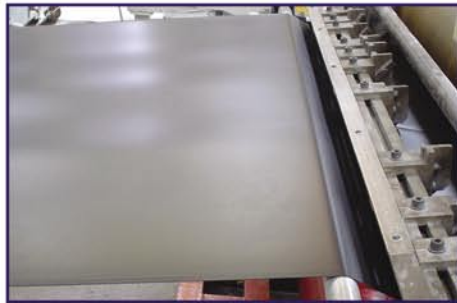


WHAT IS PLYLOAD?

Plyload is a bitumen free polymeric damp proof course using the most recent advances in polymer technology. The advantages of Plyload are that it is Agrément Certified, contains no pitch, is flexible at low temperatures, is resistant to ageing and shrinkage, and can withstand high superimposed loads.



21st CENTURY TECHNOLOGY

Traditional damp proof courses were made from textiles with bitumen or pitch, these suffered from creep under heavy load and therefore had limited lifespans.

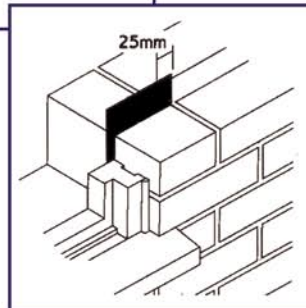
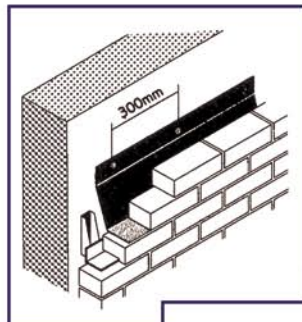
These were superseded by high performance calendered sheet rubber products which overcame this problem but were high priced. Alternatively cheap polythene products were used in lower specification applications despite the very low strength of the mortar/polythene bond.

Plyload is a high performance thermoplastic polymeric product that outperforms traditional products with zero creep, that is much more competitive than calendered sheet rubber products, and the mortar/plyload bond achieved is stronger than the mortar/brick bond achieved.

APPLICATION ADVICE

Plyload is a flexible sheet material available in rolls of various sizes.

It is designed to be compatible with all commonly used building materials and can provide horizontal, vertical or stepped damp proof courses in cavity or solid masonry walls. Plyload is easy to handle and can be cut with a sharp knife.



JOINTS

Plyload is easily joined to itself or to cloles made from plyweld, with the bitumen joining tape freely available within the industry.

STORAGE

Plyload is delivered in rolls secured with a paper wrapper. Rolls must be stored on end and under cover.



TECHNICAL SPECIFICATIONS

| | | | |
|----------------------------------|---|--------------|------|
| Water Vapour Permeability: | ($\text{gm}^2\text{day}^{-1}$) BS3177 | = | 0.28 |
| Water Vapour Transmission: | (MNsg^{-1}) | = | 733 |
| Water Absorption: | (%) BS2782 : 430A | = | 0.22 |
| Resistance to Leakage at Joints: | MOAT 27 : 5.2.1 | = | pass |
| Tensile Strength of Joint: | (N) MOAT 27 : 5.2.2/3/4 | unaged = | 300 |
| | | heat aged = | 290 |
| | | water soak = | 257 |
| Cold Flex Temperature: | ($^{\circ}\text{C}$) BS2782 : 320A | = | -60 |
| Tensile Strength: | (Nmm ⁻²) BS2782 : 320A | long = | 12.9 |
| | | trans = | 11.2 |
| Elongation at Break: | (%) BS2782 : 320A | long = | 415 |
| | | trans = | 582 |
| Tear Strength: | (Nmm ⁻¹) BBA method | long = | 122 |
| | | trans = | 96 |
| Low Temperature Flexibility: | MOAT 27 : 5.4.2 | long = | <-25 |
| | | trans = | <-25 |
| Dimensional Stability: | (%) MOAT 27 : 5.1.6 | long = | -2.0 |
| | | trans = | -0.3 |
| Mortar Adhesion Test | Ceram Method | = | pass |

AVAILABILITY

We have many distributors throughout the UK, please contact us to find the distributor nearest to you.

PLYLOAD RANGE OF PRODUCTS:

| Standard | Width | Length | Approx Roll Weight |
|------------|---------|-----------|--------------------|
| Standard | 100mm | 20 metres | 2.1kgs |
| | 112.5mm | 20 metres | 2.3kgs |
| | 150mm | 20 metres | 3.1kgs |
| | 225mm | 20 metres | 4.8kgs |
| | 300mm | 20 metres | 6.3kgs |
| | 337.5mm | 20 metres | 7.2kgs |
| | 450mm | 20 metres | 9.5kgs |
| | 600mm | 20 metres | 12.5kgs |
| | 900mm | 20 metres | 19.0kgs |
| Housebuild | 100mm | 20 metres | 1.8kgs |
| | 112.5mm | 20 metres | 1.9kgs |
| | 150mm | 20 metres | 2.7kgs |
| | 225mm | 20 metres | 3.9kgs |
| | 300mm | 20 metres | 5.3kgs |
| | 337.5mm | 20 metres | 5.8kgs |
| | 450mm | 20 metres | 7.9kgs |
| | 600mm | 20 metres | 10.6kgs |
| | 900mm | 20 metres | 15.8kgs |

ALSO AVAILABLE:

Mortarmatch brown and mortarmatch white ex-stock.

Other widths are available on special order, please contact us for details.

